

RAVEN is a small, shallow (60mm depth) floorbox solution with a medium capacity, suitable for open spaces.

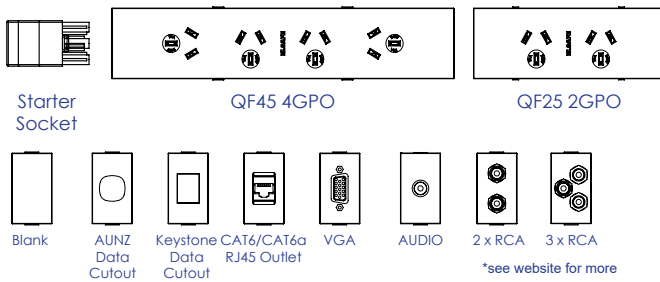
Raven provides Power, Data and AV services directly to workstations, conference and training rooms, where other access is not practical.

The RAVEN is for use in concrete and raised floors with a stylish **stainless-steel lid** which sits flush with the floor complementing any office environment.

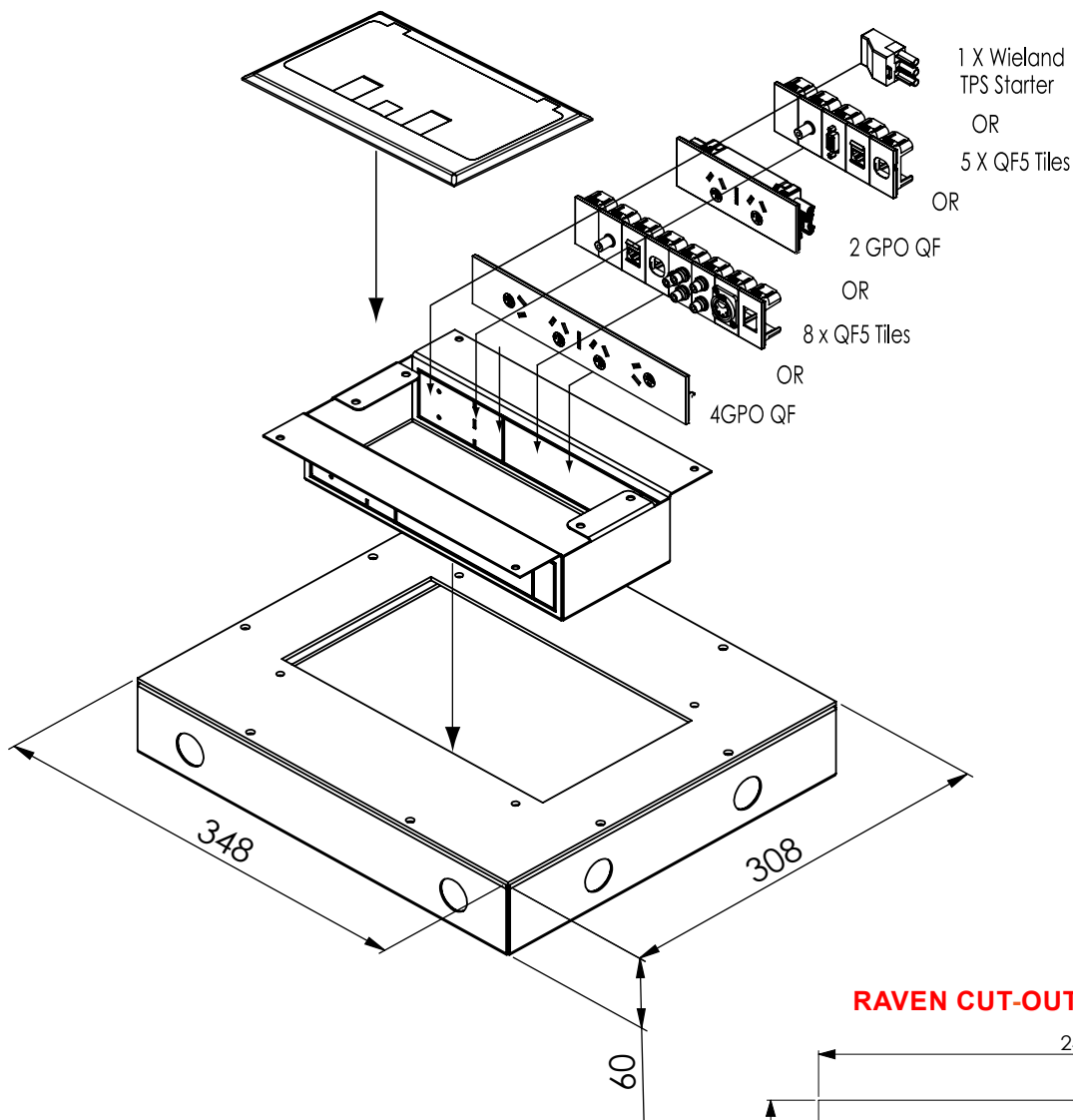
The RAVEN floor box utilises the OE Elsafe QIKFIT series of power and data solutions. QIKFIT data and AV tiles allow for complete configurability and easy customisation to meet all your data and AV needs.



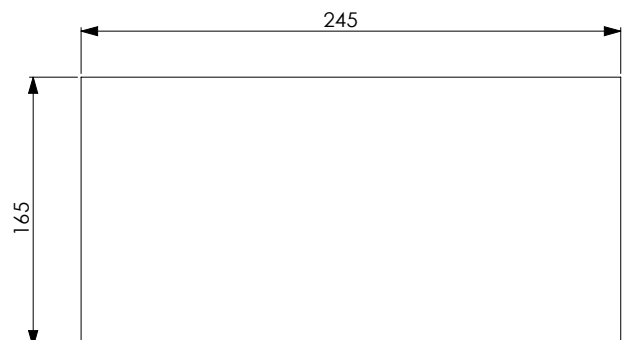
COMMON COMPONENTS



RAVEN EXPLODED VIEW



RAVEN CUT-OUT DIMENSIONS



FEATURES

Raven is the shallowest floor box on the market today with a depth of 60mm including the screed box.

Comes complete with a removable temporary lid which is replaced with the stainless-steel lid after the concreting process is complete.

The two long inside walls have been designed for versatility, with options including OE Elsafe 20A starters, 2 or 4 GPOs and a range of QF5 Data and AV tiles.

Raven is designed and intended for commercial use.